

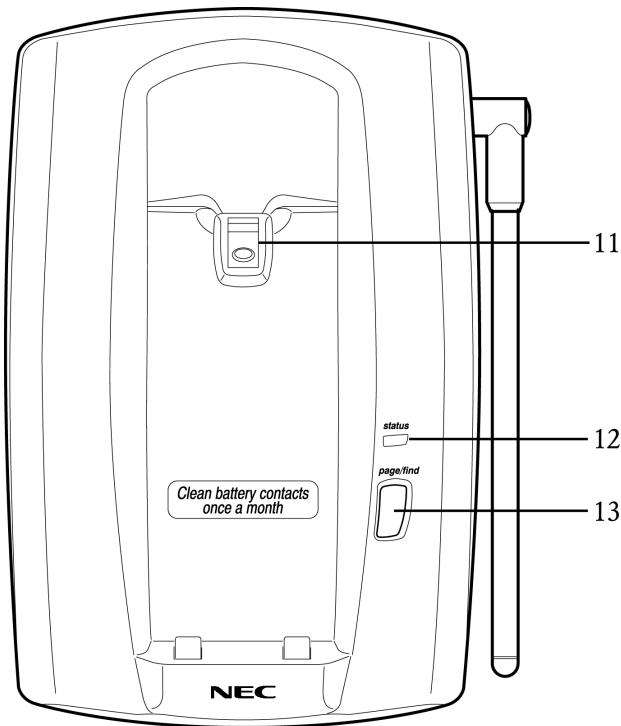
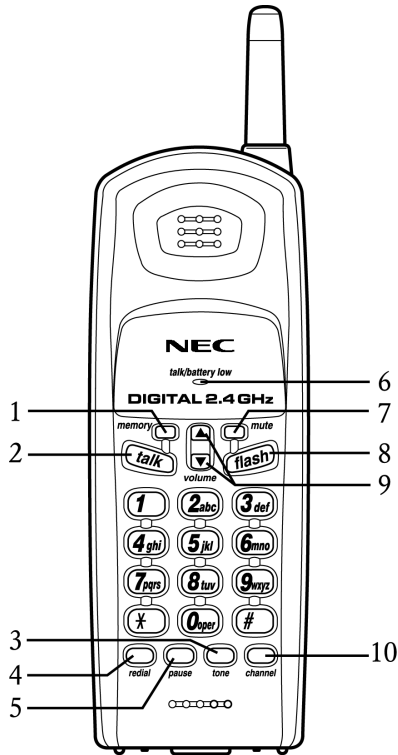
NEC

Dterm[®] Analog Cordless



User's Guide

Controls and Functions



- 1 **memory** – Enters or recalls numbers in memory.
- 2 **talk** – Answers or places calls.
- 3 **tone** – Switches to tone dialing in pulse dial mode.
- 4 **redial** – Redials the last number.
- 5 **pause** – Adds a timed pause in a memory dialing sequence.
- 6 **talk/battery low** – An LED that indicates when the phone is in use or the battery is low.
- 7 **mute** – Turns off the handset microphone while you are using the telephone.
- 8 **flash** – Accesses call waiting (if available), transfer and conference calling.
- 9 **volume** – Sets both the ringer and earpiece volumes.
- 10 **channel** – Selects another channel for clearer reception.
- 11 **handset retainer** – Holds the handset in the base unit for wall mounting.
- 12 **status** – An LED that indicates the telephone is in use or the handset is charging.
- 13 **page/find** – Locates the handset.

Connecting the Base Unit

1. Connect the telephone line cord to the “TEL LINE” jack on the base unit and to a telephone outlet.
2. Connect the AC adapter to the DC IN 9V jack and to a standard 120 V AC wall outlet.
3. Set the base unit on a desk or tabletop and place the handset on the base unit.
4. Raise the antenna to a vertical position.



Before plugging the telephone line into your new telephone, the rechargeable nickel-cadmium battery pack must be fully charged. Charge the battery for approximately 15 to 20 hours without interruption.

USING YOUR PHONE

Handset On Base	Handset Off Base
Answer Call	
Remove the handset from the base, (AutoTalk) or press talk .	Pick up the handset and press talk .
Make Call	
1 Remove the handset from the base, (AutoTalk) or press talk .	1 Press talk .
2 The talk/battery low LED lights.	2 The talk/battery low LED lights.
3 Listen for the dial tone.	3 Listen for the dial tone.
4 Dial the number.	4 Dial the number.
Hang Up	
Return the handset to the base, (AutoStandby) or press talk .	Press talk .
Redial	
1 Remove the handset from the base, (AutoTalk) or press talk .	1 Pick up the handset and press talk .
2 Listen for the dial tone.	2 Listen for the dial tone.
3 Press redial to dial the last number dialed.	3 Press redial to dial the last number dialed.

Receiver, Ringer Tone and Volume Control

The telephone has two ringer tones and each tone has two volume levels.

While the telephone is idle, continue to press **volume** until you hear the ringer tone and volume level you want.

The telephone has four receiver volume levels: **Low, Medium, High, Maximum.**

While on a call, continue to press **volume** until you hear the volume level you want. (When you hang up, the telephone retains the last volume setting selected.)

Muting the Handset

The handset microphone can be temporarily turned off (muted) during a telephone conversation so the person you are talking with cannot hear you. You can turn the microphone back on to resume the conversation.

1. While on a call, press mute on the handset to turn the microphone off.
2. Press **mute** or **talk** to cancel mute. (The microphone is turned on.)

Flash Button

The **flash** button allows you to access services such as Centrex call waiting, call transfer, conference calling and call hold.

1. During the conversation, press **flash**. (If accessing call waiting; this allows you to answer the second caller.)
2. Press **flash** again. (This returns you to the previous call.)

Storing a Number

Your NEC D^{term} Analog Cordless telephone has 10 memory locations for storing important or frequently called telephone numbers.

1. Remove the handset from the base unit.
2. Press **memory**. (The **talk/battery low** LED flashes and a beep is heard).
3. Enter the telephone number you want to store (up to 20 digits).
4. Press **memory** and enter the memory location (0~9) you want to use.

You will hear a long beep and the **talk/battery low** LED stops flashing indicating the number has been successfully stored. If you select any keys other than 0~9 or you exceed the 20-second limit, the handset beeps rapidly and no number will be stored.

Storing Mixed Tone/Pulse Numbers

If the telephone is set up for pulse dialing, mixed mode numbers can be stored to easily access long distance services.

1. Remove the handset from the base unit.
2. Press **memory**. (The **talk/battery low** LED flashes and a beep is heard.)
3. Enter the number(s) to be dialed in pulse mode.
4. Press **tone** on the handset to enter a pause. (This also counts as one digit.)
5. Enter the number(s) to be dialed in tone mode.
6. Press **memory** and enter the memory location (0~9) you want to use.

The ability to pulse dial is dependent upon the telephone system and/or the outside lines to which the D^{term} Analog Cordless is connected.

Dialing a Stored Number

1. Remove the handset from the base unit.
2. Press **talk**.
3. Press **memory** and enter the memory location number (0~9) you want to dial. (If you select a memory location that does not have a number stored in it, the handset beeps rapidly.)
4. The number is dialed.

Chain Dialing

After dialing a number you may be requested to enter a special access code, for example, when performing a banking transaction.

To dial the number using chain dialing:

1. Remove the handset from the base unit.
2. Manually dial the telephone number.
3. Press **memory** and enter the memory location number (0~9) you want to dial.

Replacing a Stored Number

When you enter the memory location number, any number previously stored for the memory location is replaced.

Erasing a Stored Number

1. Remove the handset from the base unit.
2. Press **memory** twice.
3. Enter the memory location number (0~9) you want to erase. (You will hear a long beep confirming the number has been erased.)

Selecting a Different Channel

You can manually change the telephone channel for clearer operation. There are 30 factory-set channels from which you can select. (Changing channels only works when the telephone is in use.)

1. Remove the handset from the base unit.
2. Press **channel**. (The **talk/battery low** LED flashes, indicating the telephone is changing channels.)
3. Continue step 2 until you find a clear channel.

Traveling Out of Range

When you begin to move too far away from the base unit, you will hear a clicking sound. As you travel further out of range, the voice transmission begins to break up. Once you have passed the range limits of the base unit, the call terminates.

Page/Find Button

Page/find only works when the telephone is **not** in use.

1. Press **page/find** on the base unit for a five-second beep.
2. Press and hold the **page/find** button for a longer beep.
3. Once the handset has been located; press **talk** on the handset to end the page/find feature.
4. If you do not wish to make a call at this time, press **talk** again to hang up.

Headset Installation

Your telephone may be used with an optional headset. To use this feature, simply plug the headset into the headset jack on the handset. Your telephone is ready for handsfree conversation.

Setting the Dial Mode Switch

Place the switch in the “Tone” position for tone dialing, or the “Pulse” position for pulse dialing.

The ability to pulse dial is dependent upon the telephone system and/or the outside lines to which the D^{term} Analog Cordless is connected.

Charging the Battery

The plastic connectors will fit together only one way. Make sure the battery connector is properly aligned.



Before plugging the telephone line into your new telephone, the rechargeable nickel-cadmium battery pack must be fully charged. Charge the battery for approximately 15 to 20 hours without interruption.

1. Remove the handset battery cover.
2. Plug the battery cable into the handset and place the battery pack inside the battery compartment.
3. Replace the battery cover.
4. Place the handset on the base to charge. (The handset can charge in either the face-up or face-down position.)

Low Battery Indicator

When the battery pack in the handset needs to be charged, the ***talk/battery low*** indicator flashes. If this occurs while you are on the telephone, you will hear an alert tone. Complete your call as quickly as possible and return the handset to the base unit for charging.

Cleaning Battery Contacts

To maintain a good charge, it is important to clean all battery contacts on the handset and base unit about once a month. Use a dry cloth or pencil eraser, if necessary. Do not use any liquids or solvents.

Beltclip Installation

1. Insert the beltclip into the holes on each side of the handset.
2. Press down firmly until it clicks into the holes.

If you have wall mounted the base, you cannot place the handset with the keypad facing inside. Pull both sides of the beltclip out of the holes to remove.

D^{term} Analog Cordless is hearing aid compatible.

Optional Available Parts

Part Description	Stock Number
Headset with Foam Covered Ear and Microphone	730616
Replacement AC Adapter for Base Unit	760625
Replacement String-Type Beltclip	730624
Replacement Wall Mount Unit	730623

© 2001 NEC America, Inc.

The material contained herein is subject to change without prior notice at the sole discretion of NEC America, Inc.

D^{term}® is a registered trademark of NEC Corporation. AutoTalk, AutoStandby, Random Code, UltraClear Plus, and AutoSecure are trademarks of Uniden America Corporation.

Document Revision 1

For more information contact:
NEC America, Inc.
6555 N State Highway 161
Irving, TX 75039-2402

www.cng.nec.com

750229-0

NEC